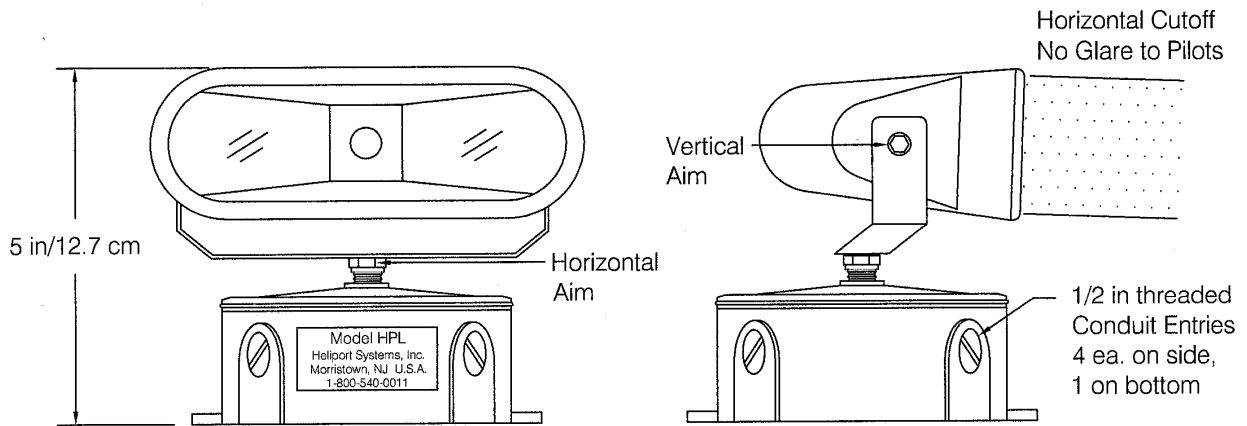


HELIPORT FLOODLIGHT

Model HFL



- Illuminates CENTRAL area of heliport, not perimeter
- Low Profile - cannot be struck by helicopter
- No glare to pilots or passengers
- Highly focused 75 watt halogen lamp = to 250 watt lamp
- Wide beam spread: 70 degrees. Only four fixtures needed
- for most heliports
- Weathertight NEMA 4 Junction Box UL Listed
- U.S. \$195
- Optional Grass Limit Plate \$33. Optional Mounting Bracket \$20.



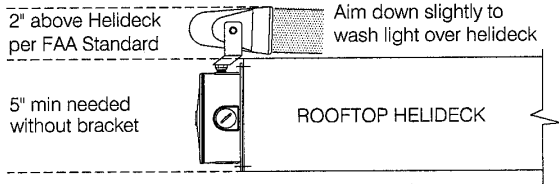
HELIPORT SYSTEMS, INC.

55 Madison Ave., Suite 150
Morristown, NJ 07960-6012
U.S.A.

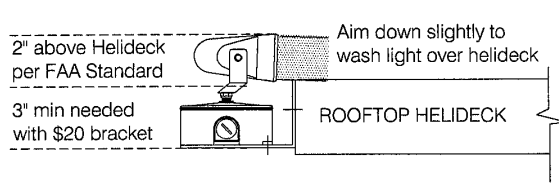
Tel 973-540-0011 Fax 973-540-0131
Email: Info@heliport.com
www.heliport.com

MOUNTING DETAILS

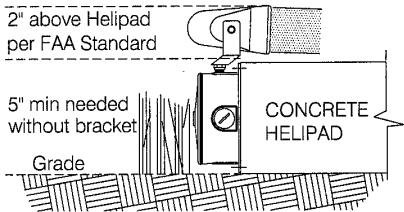
Model HFL



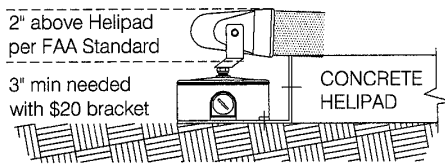
Roof Method 1



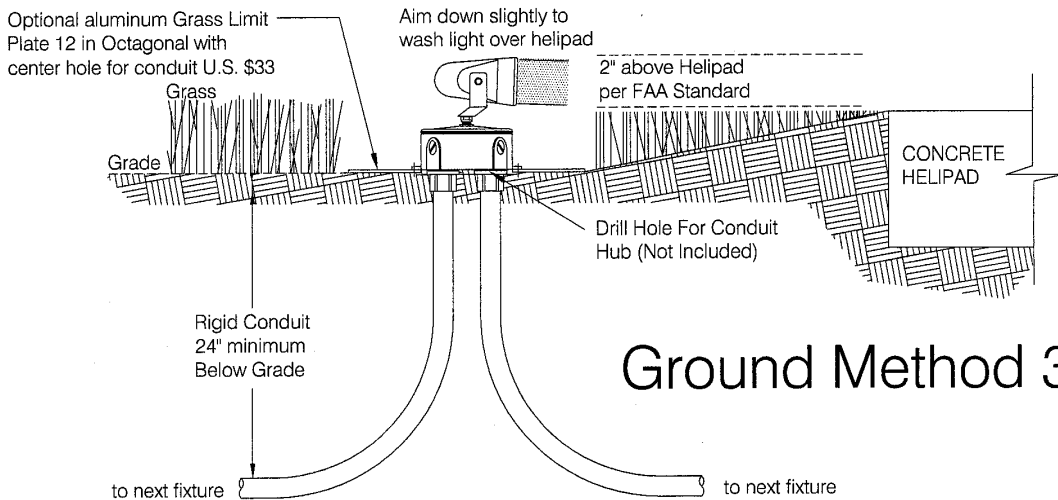
Roof Method 2



Ground Method 1



Ground Method 2



Ground Method 3



HELIPORT SYSTEMS, INC.

55 Madison Ave., Suite 150
Morristown, NJ 07960-6012
U.S.A.

Tel 973-540-0011 Fax 973-540-0131
Email: Info@heliport.com
www.heliport.com